

CERTIFICATION



HACCP International



ISO9001

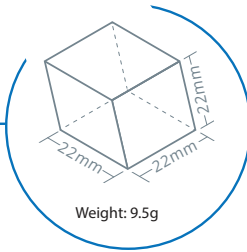
ICE MATE

by  **HOSHIZAKI**

SRM-60A ICE MAKER

ICEMATE is committed to bringing high-efficiency / energy-saving, and high quality ice-making product to people who have dreams and desire to create their own business with the best scientific technology and manufacturing technology.

DICE

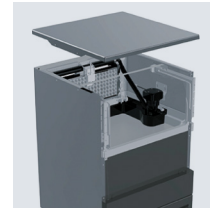


KEY FEATURES

SAFETY AND HYGIENE ASSURED ICE MACHINE



NSF Certified Material for Bin and Scoop



Detachable Parts for Easy Cleaning



Air Filter Prevent Dust from Entering



Stainless Steel

ENERGY & WATER SAVING, QUIET OPERATION



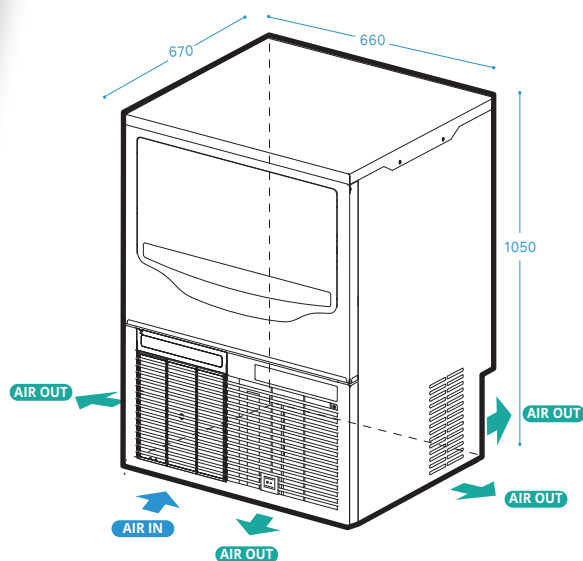
Energy & Water Saving, Quiet Operation

EASY MAINTENANCE

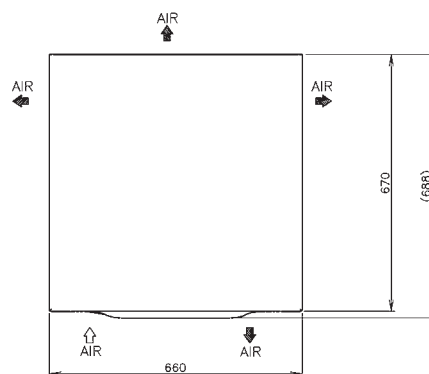


IoT

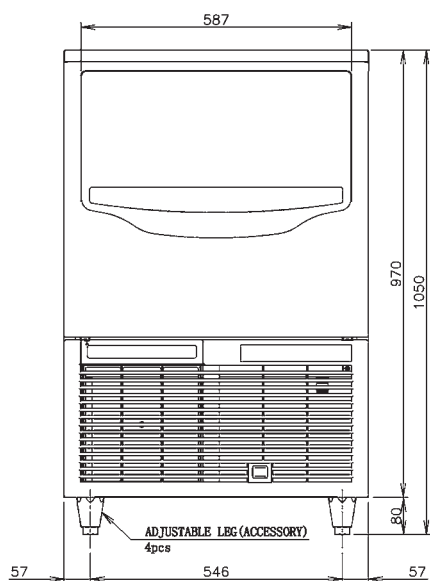




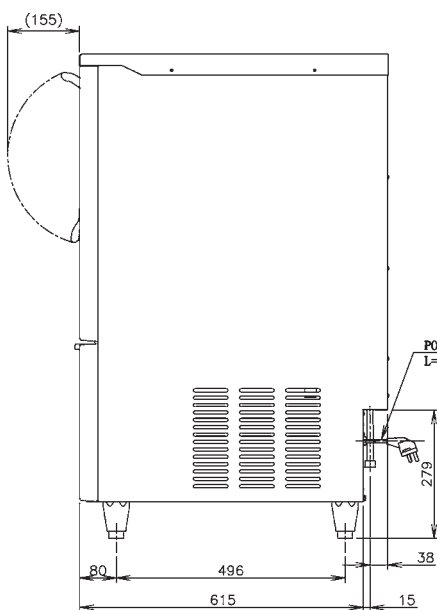
TOP SIDE



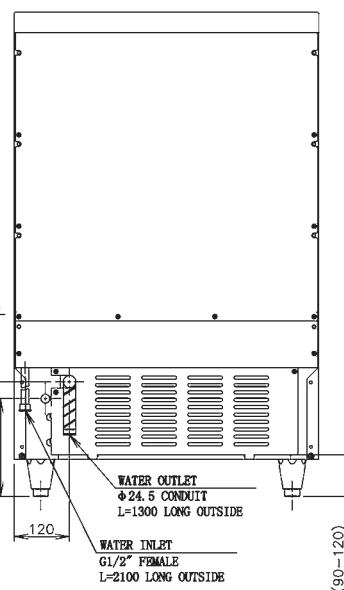
FRONT SIDE



RIGHT SIDE



BACK SIDE



SPECIFICATIONS

| | |
|--------------------------------|---|
| Ice Dimensions (W x D x H) | 22 x 22 x 22 mm |
| Outside Dimensions (W x D x H) | 660 x 670 x 1050 mm |
| Package Dimensions (W x D x H) | Carton: 785 x 860 x 1100 mm |
| Weight (Net / Gross) | 58 kg / 65 kg |
| Amperage / Starting Amperage | 2.5A / 14.0A |
| Electrical Consumption | (AT32°C / WT21°C) 370 W |
| Refrigerant Charge | R134a / 220g |
| Ice Storage Capacity | Maximum 31.4kg |
| Ice Production per 24H | (AT10°C / WT10°C) Approx. 65 kg (AT21°C / WT15°C) Approx. 60 kg (AT32°C / WT21°C) Approx. 50 kg |

| | |
|----------------------------------|--|
| Water Consumption per 24H | (AT32°C/WT21°C) 0.11m ³ (2.2L / kg Ice) |
| Ice Production Freeze Cycle Time | (AT21°C/WT15°C) 18 min |
| Ice Production per Cycle | (AT21°C/WT15°C) Approx. 0.81kg / 80 pcs |

OPERATING CONDITIONS

| | |
|-----------------------|---------------------------------|
| Voltage Range | 198 - 254 V |
| Ambient Temperature | 5 - 38°C |
| Water Supply | 5 - 32°C |
| Water Supply Pressure | 0.07 - 0.55 Mpa (0.7 - 5.5 bar) |
| Supply Voltage | 1/220 - 240V / 50Hz |



HOSHIZAKI

HOSHIZAKI SINGAPORE PTE. LTD.

18 Boon Lay Way #01-102 Tradehub21, 609966

TEL 6225 2612 | FAX 6225 3219 | www.hoshizaki.com.sg